

A

B

C

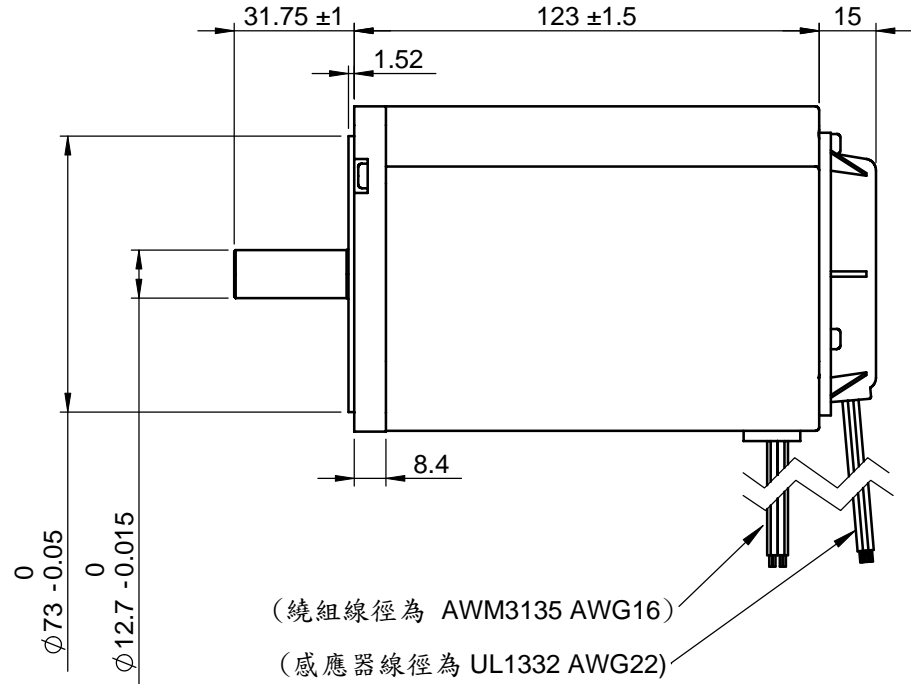
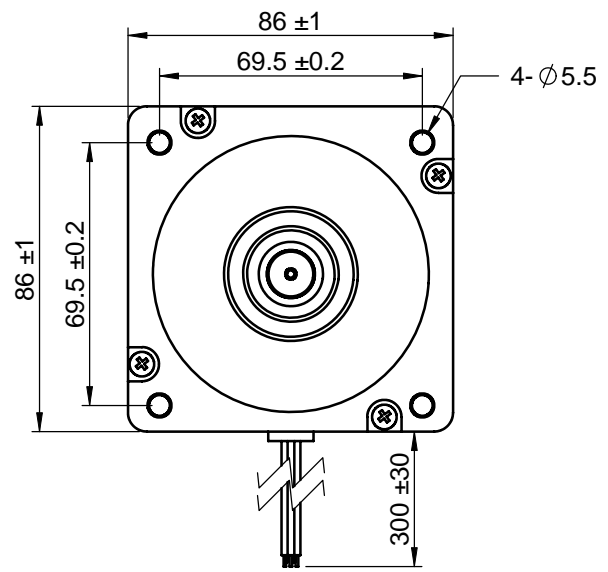
D

A

B

C

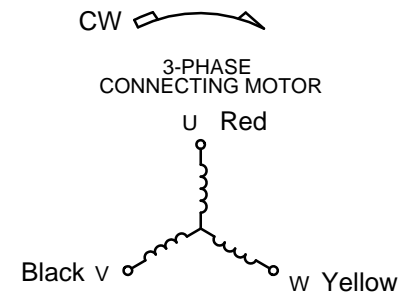
D



(繞組線徑為 AWM3135 AWG16)  
 (感應器線徑為 UL1332 AWG22)

Hall 接線表		
Pin	Color	功能(說明)
1	Blue	Hall U
2	Black	GND
3	Green	Hall V
4	Red	+5V
5	White	Hall W

Motor 接線表		
Pin	Color	功能(說明)
1	Red	Motor U
2	Black	Motor V
3	Yellow	Motor W



MODEL		NO LOAD		AT MAXIMUM EFFICIENCY					THIRD ANGLE PROJECTION ALL DIMENSION ARE IN MM (UNLESS OTHERWISE SPECIFIED)	製圖 設計 審核 材料 完成時間	JOANNE	Cheshire Electric Company, LLC		
NOMINAL	48V DC	SPEED RPM	CURRENT A	SPEED RPM	CURRENT A	TORQUE kg-cm	OUTPUT W	EFF %				Part No	Name	REV. NO.
JB86-N011A726		3700	1.69	3243	12.30	15.23	518.89	87.85	繪製比例: 1:2	2011/9/26	DC Brushless motor			